

# ∅254 AG series

## x89mm



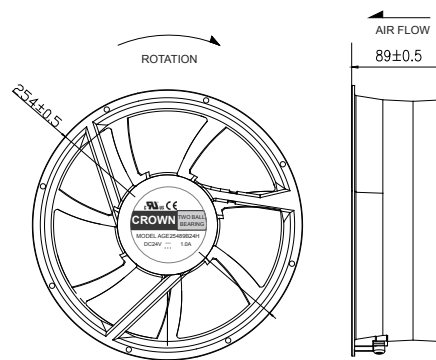
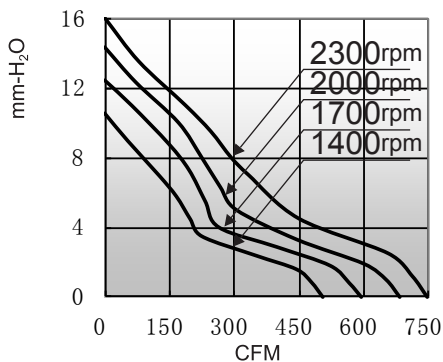
### General Specifications

- Motor : 4 Poles brushless DC motor
- Frame & Impeller : Al die-casting & Plastic
- Storage temperature : -40° to +75°
- Operating temperature : -10° to +70°

### Major Characteristic Parameters

Model	*Bearing System	Rated Voltage	Operating Voltage Range	Rated Current	Rated Speed	Maximum Air Flow		Maximum Static Pressure		Sound Level	Weight
Part NO.	B / S / F	V	V	A	RPM	m <sup>3</sup> /min	CFM	mm-H <sub>2</sub> O	In-H <sub>2</sub> O	dBA	g
AGE25489B24L	B	24	14.0~26.4	0.80	1400	14.33	506	10.59	0.42	52.2	1550
AGE25489B48L	B	48	28.0~56.0	0.63	1700	16.85	595	12.45	0.49	59.1	1550
AGE25489B24M	B	24	14.0~26.4	1.30	1700	16.85	595	12.45	0.49	59.1	1550
AGE25489B48M	B	48	28.0~56.0	1.00	2000	19.37	684	14.32	0.56	63.3	1550
AGE25489B24H	B	24	14.0~26.4	2.20	2000	19.37	684	14.32	0.56	63.3	1550
AGE25489B48H	B	48	28.0~56.0	2.10	2300	21.16	747	15.97	0.63	71.2	1550

\*Bearing system B: Two Ball Bearing F: Fluid Bearing S: Sleeve Bearing



unit:mm

# ∅254 AG series

x89mm



## General Specifications

- Motor : 4 Poles brushless DC motor
- Frame & Impeller : Metal
- Storage temperature : -40° to +75°
- Operating temperature : -10° to +70°

## Major Characteristic Parameters

Model	*Bearing System	Rated Voltage	Operating Voltage Range	Rated Current	Rated Speed	Maximum Air Flow		Maximum Static Pressure		Sound Level	Weight
Part NO.	B / S / F	V	V	A	RPM	m <sup>3</sup> /min	CFM	mm-H <sub>2</sub> O	In-H <sub>2</sub> O	dBA	g
AGF25489B24M	B	24	14.0~26.4	0.80	3000	25.03	884	30.59	1.20	52.2	1550
AGF25489B48M	B	48	28.0~56.0	0.63	3000	25.03	884	30.59	1.20	52.2	1550

\*Bearing system B: Two Ball Bearing F: Fluid Bearing S: Sleeve Bearing

